

FIG. 1

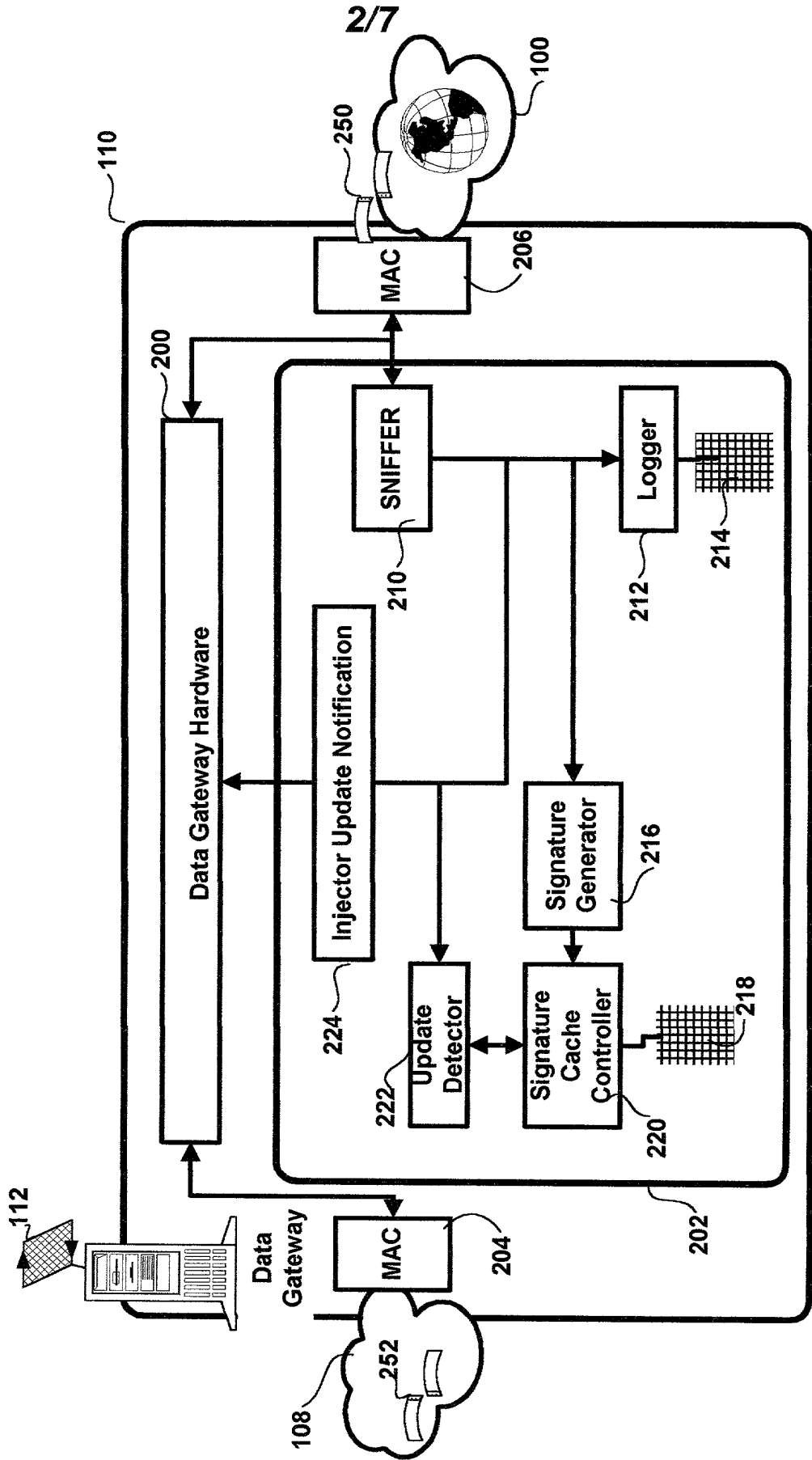


FIG. 2A

Gateway	URL
www.Gateway 120	"www. page 1.com"
www.Gateway 140	"www. page 2.com"
www.Gateway 160	"www. page 3.com"
www.Gateway...	"www. page 4.com"

FIG. 2B

URL	SIGNATURE	STATUS
"www. page 1.com"	SIG 1	Current
"www. page 2.com"	SIG 2	Stale
"www. page 3.com"	SIG 3	Current
"www. page 4.com"	SIG 4	Current
"www. page 10.com"	SIG 4	Current

FIG. 2C

"05250" 05250

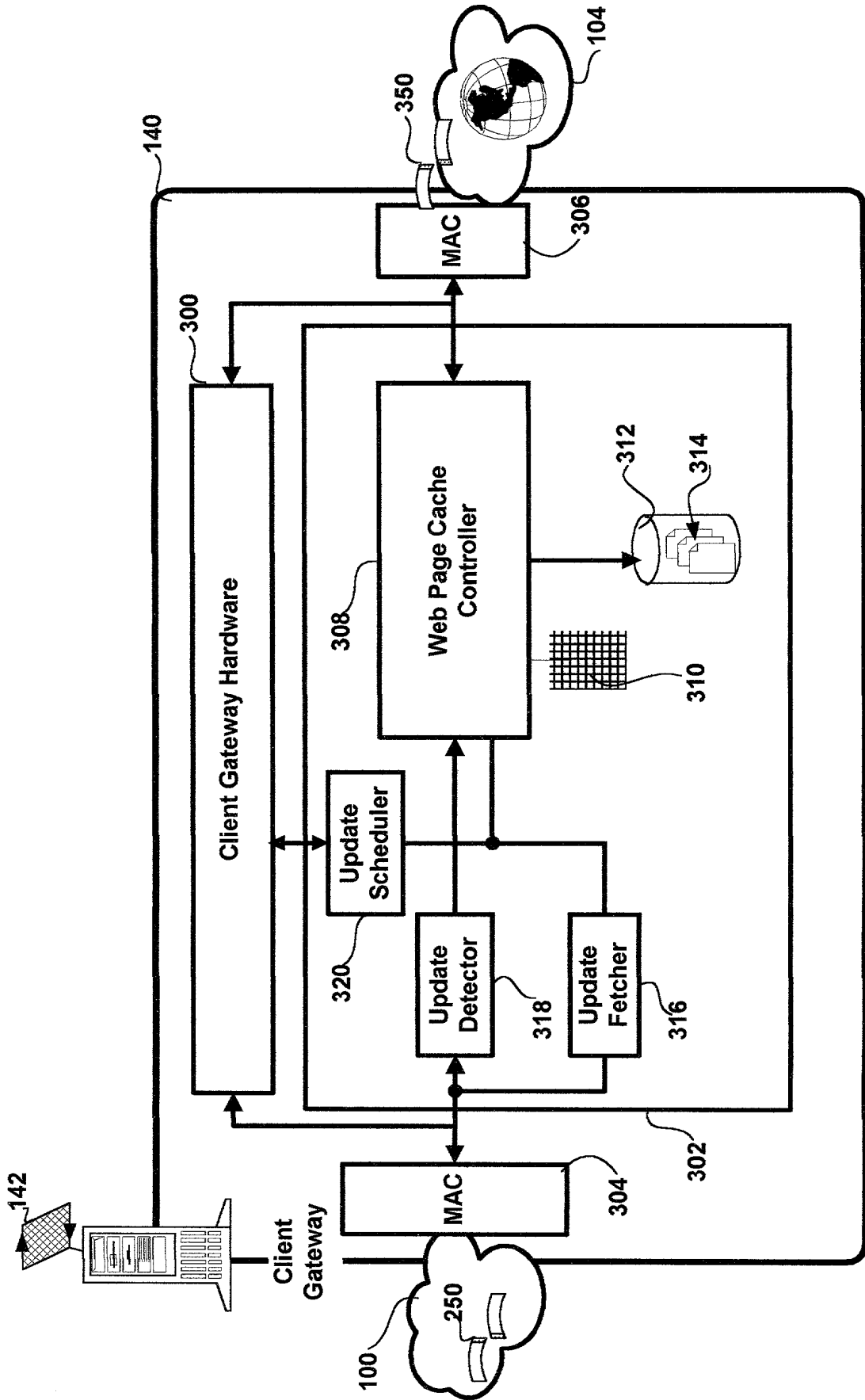


FIG. 3A

URL	STATUS
"www. page 1.com"	Current
"www. page 2com"	Stale
"www. page 2.com"	Current
"www. page 2.com"	Current

FIG. 3B

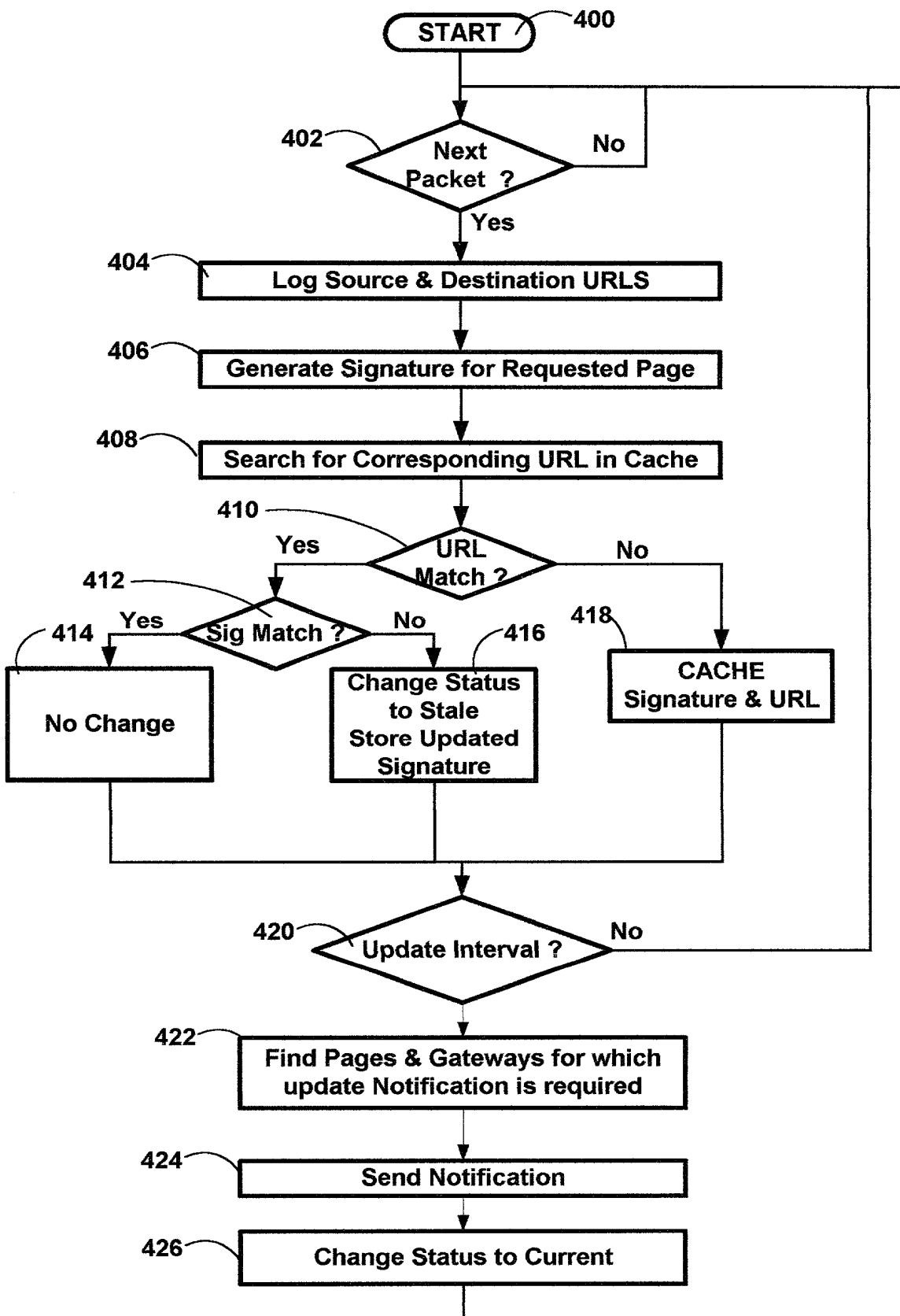


FIG. 4

DataCenter Gateway

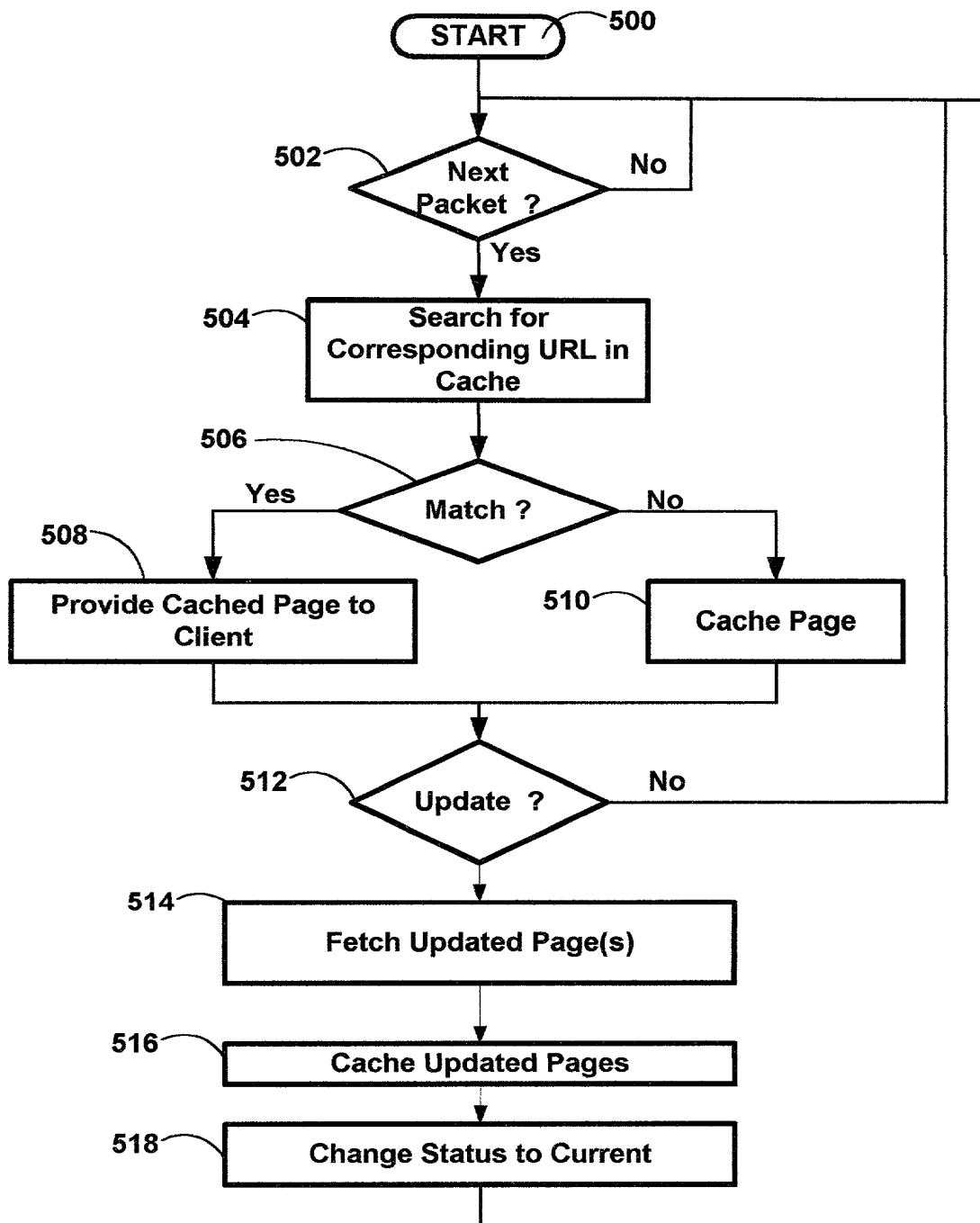


FIG. 5

Client Gateway